

## BLK SUPPORT CLAMPS

FIXING & SEALING

**SUPPORT CLAMPS** are suitable for mounting various parts of air conditioning systems and exhaust systems on structural beams in combination with threaded ends. It is used where drilling is not allowed or too time-consuming.

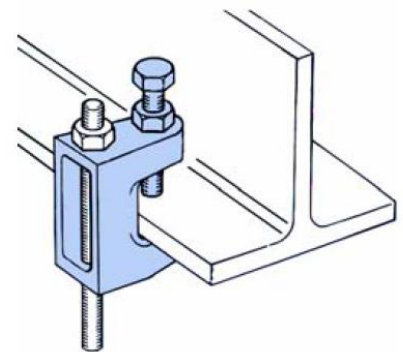
### CONSTRUCTION

The SUPPORT CLAMPS are manufactured out of galvanized steel. The clamps can be fastened on beams with a maximum thickness of 19mm.

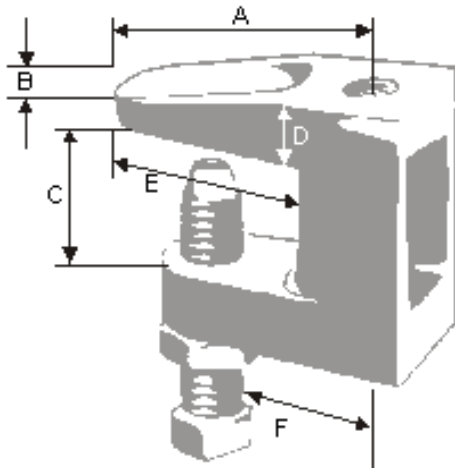
The SUPPORT CLAMPS are appropriate to M06, M08, M10 and M12 threaded ends.

### SPECIFICATIONS

Article code: **BLK0{Wire spacing}**



Type	A (mm)	B (mm)	C (mm)	D (mm)	E (mm)	F (mm)	Tested loading	Recomm. loading
BLK006	26	13	22	10	20	18	620 kg	90
BLK008	26	13	22	10	20	18	680 kg	110
BLK010	41	13	19	10	28	25.5	680 kg	110
BLK012	41	18	19	13	26	25.5	1725 kg	340



#### LIABILITY:

The information contained in this brochure was current on the publication date. DEC INTERNATIONAL reserves the right to make changes in details at any time without prior notice. In order to avoid misunderstandings, any interested party is advised to contact DEC INTERNATIONAL checking for any changes in materials and/or information after this brochure was published.

#### PLEASE NOTICE:

The consultant is responsible for the actual installation and mounting of the product. The mentioned values with respect to temperatures are not appropriate to be used to determine the physical properties. These properties are also dependent on humidity and the temperature of the air inside and outside of the H.V.A.C. system.

#### TRADEMARKS:

DEC International and the DEC logo are trademarks, or registered trademarks of Dutch Environment Corporation BV in the Netherlands and/or other countries.