



CONNECTDEC Type SONODEC TRD

FLEXIBLE SOUND ATTENUATORS

The **CONNECTDEC TYPE SONODEC TRD** consist of a perforated aluminum inner duct, thermal insulated with a glass wool layer and provided with an aluminium laminated outer jacket. A polyester barrier between the duct and the glass wool prevents the diffusion of glass wool particles. The duct is standard fitted with galvanized metal sleeves at both ends to fit to any rigid ductwork or appliance instantly. Choice between: (Fit according to EN1506)

Type 1) Male - Male Type 2) Male - Female Type 3) Female - Female

Article code: CO(1,2,or3)DST{Ø}/Length e.g. CO3DST100/1,0 (type 3 Ø100mm x 1Mtr)

APPLICATIONS

- **THE Solution to over bridge inaccuracy in measurements.**
- **Saves installation time and material.**
- In combination with heat exchanges, heat pumps
- Air supply systems
- Air conditioning systems
- Insertion loss damper
- Decreasing sound of machines

SPECIFICATIONS

Article code: CO(1,2,3)DST{Ø}/L
 Temperature range: -30 °C to 140 °C
 Operating pressure: up to +2000 Pa
 Operating air velocity: max. 10 m/s
 Min. bending radius: 1 x Ø + 25mm
 Standard diameter range: 80 - 315 mm
 Standard length: 0,5+1,0 mtr

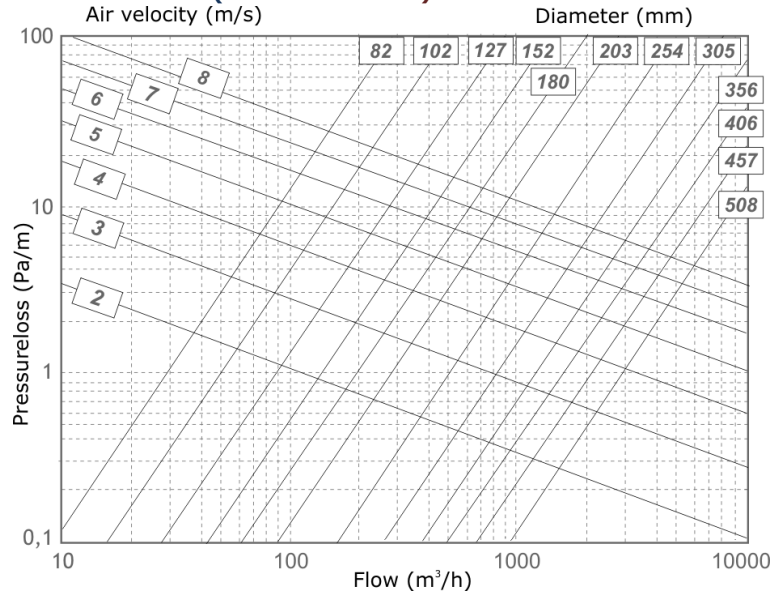
CONSTRUCTION

Inner duct: Alu/poly laminate
 Glass wool blanket: 25mm, 16kg/m³
 Outer jacket: Alu/poly laminate
 R-value glass wool: 0.65 m² K/W
 (ASTM C177-76)
 Appearance: aluminium

CLASSIFICATIONS

EU (EN 13501-1):
 OuterJacket: B-s1,d0

PRESSURE LOSS (STRAIGHT DUCT)



The **CONNECTDEC TYPE SONODEC TRD** fulfills all the requirements and are classified as specified within EN 13180: *Ventilation for buildings – Ductwork - Dimensions and mechanical requirements for flexible ducts.*

The **CONNECTDEC TYPE SONODEC TRD** is also available, on request, with a 50 mm glass wool layer, the article number is: CO(1,2,3)5DST{Ø}
 R-value glass wool: 1.3 (50 mm) m² K/W (ASTM C177-76).

LIABILITY:

The information contained in this brochure was current on the publication date. DEC INTERNATIONAL reserves the right to make changes in details at any time without prior notice. In order to avoid misunderstandings, any interested party is advised to contact DEC INTERNATIONAL checking for any changes in materials and/or information after this brochure was published.

PLEASE NOTICE:

The consultant is responsible for the actual installation and mounting of the product. The mentioned values with respect to temperatures are not appropriate to be used to determine the physical properties. These properties are also dependent on humidity and the temperature of the air inside and outside of the H.V.A.C. system.

TRADEMARKS:

CONNECTDEC, SONODEC, the DEC logo and DEC International are trademarks, or registered trademarks of Dutch Environment Corporation BV in the Netherlands and/or other countries.

RESTRICTIONS:

The CONNECTDEC ducts are not suitable for discharging combustion products from open fireplaces and oil-fired boilers. Neither are the ducts suitable for transporting air with a high concentration of acid and base.

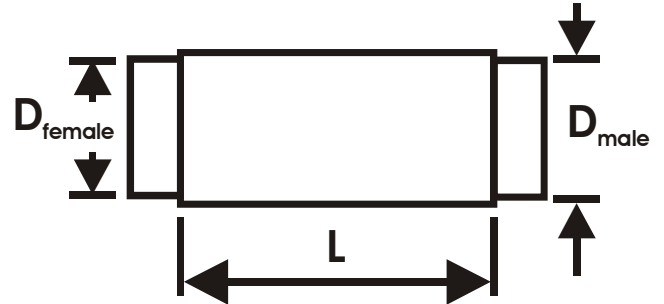


CONNECTDEC Type SONODEC TRD

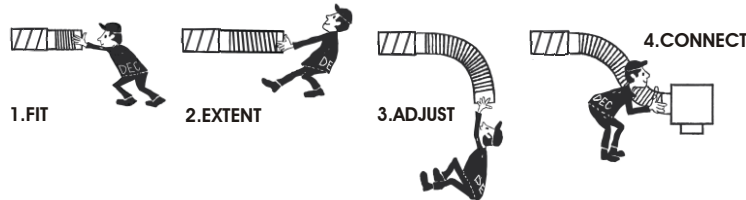
FLEXIBLE SOUND ATTENUATORS

DIMENSIONS Metal sleeves

According to EN-1506			
D _{nom} (mm)	D _{female} (mm)	D _{male} (mm)	Tol.
080	80.5	79.3	+0 ; -0.5
100	100.5	99.3	+0 ; -0.5
125	125.5	124.3	+0 ; -0.5
150	150.6	149.3	+0 ; -0.6
160	160.6	159.3	+0 ; -0.6
200	200.7	199.3	+0 ; -0.7
250	250.8	249.3	+0 ; -0.8
315	315.9	314.3	+0 ; -0.9



HOW TO INSTALL:



SOUND ATTENUATION

SONODEC 25 TRD		(Test report nr. AB323-1 Peutz bv - The Netherlands)					
D _n (mm)	L (mtr)	Attenuation, dB - Mid-frequency, Hz					
		125	250	500	1000	2000	4000
080	1	16	26	33	38	28	17
	2	21	37	48	53	46	29
100	1	9	19	32	37	31	21
	2	19	33	52	53	49	36
125	1	12	20	21	25	29	17
	2	17	31	44	45	46	26
160	1	17	22	22	27	19	14
	2	31	39	34	38	31	20
200	1	7	15	17	20	16	13
	2	20	34	32	35	30	22
250	1	16	16	16	16	13	10
	2	26	31	28	33	25	18
315	1	11	12	12	14	11	7
	2	28	25	22	27	22	15

SONODEC 50 TRD		(Test report nr. AB323-4 Peutz bv - The Netherlands)					
D _n (mm)	L (mtr)	Attenuation, dB - Mid-frequency, Hz					
		125	250	500	1000	2000	4000
082	1	14	19	34	40	27	18
	2	19	31	42	59	45	30
102	1	7	18	31	43	28	20
	2	11	32	49	61	45	27
127	1	7	15	22	32	26	18
	2	14	27	47	56	40	28
160	1	12	20	23	28	18	11
	2	22	36	43	50	29	20
203	1	4	9	14	20	14	13
	2	13	22	35	43	30	24
254	1	14	14	16	15	11	10
	2	26	28	30	31	18	14
315	1	15	13	15	16	9	7
	2	27	26	28	32	15	13

LIABILITY:

The information contained in this brochure was current on the publication date. DEC INTERNATIONAL reserves the right to make changes in details at any time without prior notice. In order to avoid misunderstandings, any interested party is advised to contact DEC INTERNATIONAL checking for any changes in materials and/or information after this brochure was published.

PLEASE NOTICE:

The consultant is responsible for the actual installation and mounting of the product. The mentioned values with respect to temperatures are not appropriate to be used to determine the physical properties. These properties are also dependent on humidity and the temperature of the air inside and outside of the H.V.A.C. system.

TRADEMARKS:

CONNECTDEC, SONODEC, the DEC logo and DEC International are trademarks or registered trademarks of Dutch Environment Corporation BV in the Netherlands and/or other countries.

RESTRICTIONS:

The CONNECTDEC ducts are not suitable for discharging combustion products from open fireplaces and oil-fired boilers. Neither are the ducts suitable for transporting air with a high concentration of acid and base.