



## D5G/D5 EXTERNAL LOUVRES

AIR MANAGEMENT SYSTEMS

### PRODUCT PROPERTIES

**External louvres are used as covering grilles in air exhaust openings.**

The **D5G** has a beautiful design with a slanted front grille hood for exhaust air, the deflection shutter helps to control back-drafts and resist water from entering. The shutter is opened in case of overpressure.

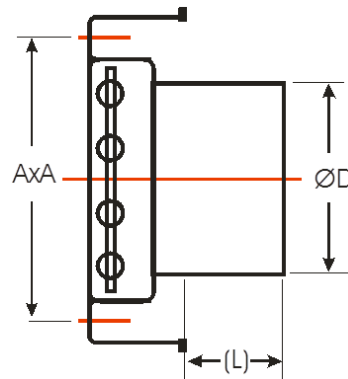
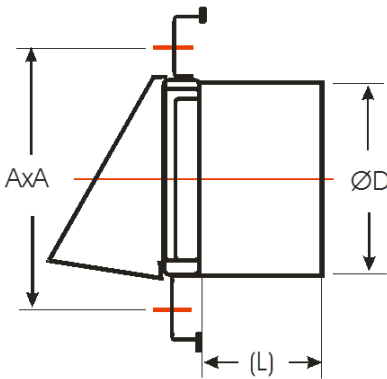
Made of durable stainless steel 304/2B.

The **D5** with moveable vanes are extremely solid and made of high quality 304/2B stainless steel.

The movable vanes are opened in case of overpressure and help control back-drafts and resist water from entering.

Code	L (mm)	ØD (mm)	A x A (mm)	Thickness (mm)	Weight (gr)
D5G100	52	97	137 x 137	0.31 - 0.6	360
D5G125	52	120	167 x 167	0.4 - 0.6	440
D5G150	62	145	167 x 167	0.4 - 0.6	500

Code	L (mm)	ØD (mm)	A x A (mm)	Thickness (mm)	Weight (gr)
D5100100	52	97	137 x 137	0.5 - 0.6	300
D5125125	52	120	167 x 167	0.5 - 0.6	470
D5150150	62	145	167 x 167	0.5 - 0.6	500



#### LIABILITY:

The information contained in this brochure was current on the publication date. DEC INTERNATIONAL reserves the right to make changes in details at any time without prior notice. In order to avoid misunderstandings, any interested party is advised to contact DEC INTERNATIONAL checking for any changes in materials and/or information after this brochure was published.

#### PLEASE NOTICE:

The consultant is responsible for the actual installation and mounting of the product. The mentioned values with respect to temperatures are not appropriate to be used to determine the physical properties. These properties are also dependent on humidity and the temperature of the air inside and outside of the H.V.A.C. system.

#### TRADEMARKS:

DEC International and the DEC logo are trademarks, or registered trademarks of Dutch Environment Corporation BV in the Netherlands and/or other countries.