



DVSQ-P SUPPLY AIR VALVE

AIR MANAGEMENT SYSTEMS

PRODUCT PROPERTIES

Powder coated square valve

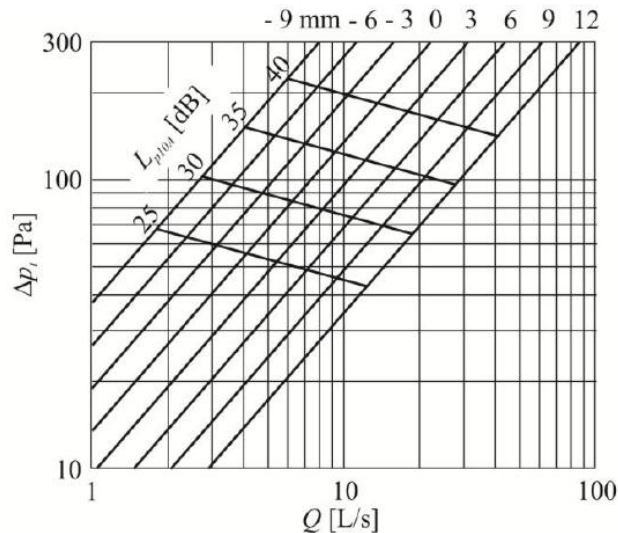
DVSQ-P is a supply valve suitable for houses, offices etc.

- Good adjusting features
- Low noise level
- Quick and easy to install
- Airflow easy to measure

CONSTRUCTION

The **DVSQ-P** is manufactured from steel sheet, powder coated. Standard color white (RAL 9010). Other color finishes are available to special order quantities. The valve body has a gasket, made of cellular plastic and the control disc, with screw spindle, enables easy regulation and positional locking.

The valve is closed when the valve actuating element is placed on -10 mm from the zero-plane, while it is totally opened when the valve actuating element is placed on 7 mm from the zero-plane Fig. For one turn of the valve actuating element it is longitudinally displaced for 1 mm. The graphic shows the dependence of flow rate, noise intensity and total pressure drop across the valve type **DVSQ-P125**

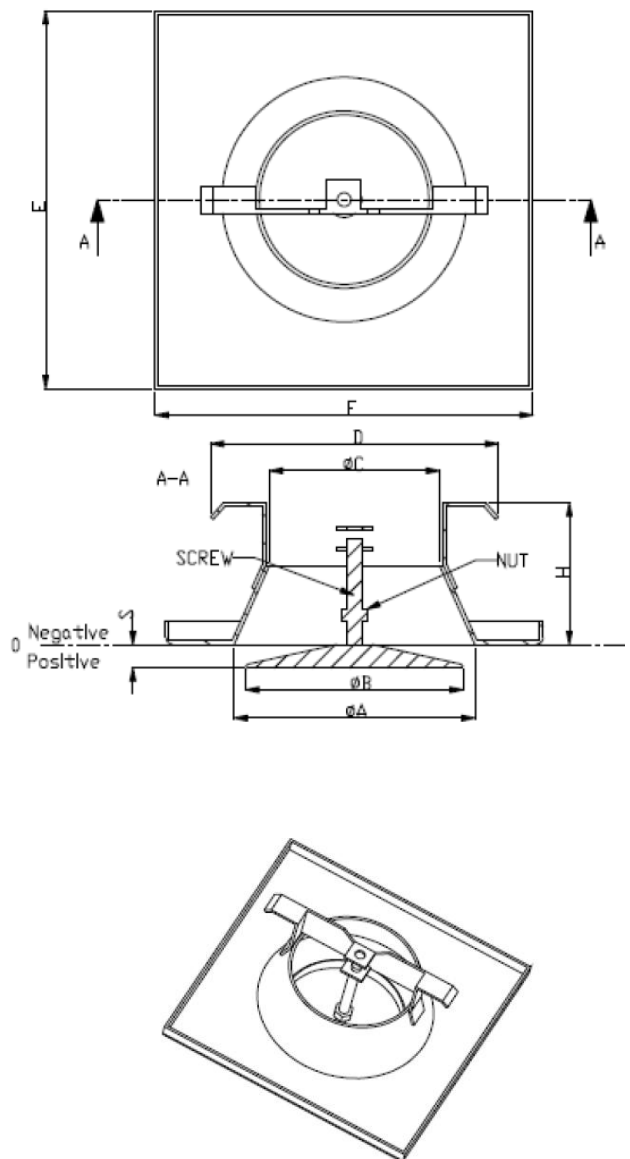


	DVSQ-P100	DVSQ-P125
ØA	103	126
ØB	92	116
ØC	72	100
D	123	152
E	160	190
F	160	190
H	60	65
S	+ / -	+ / -

Body height 1cm

REGULATION AND MEASUREMENTS

Regulation of airflow is achieved by turning the control disc to change adjustment dimension *s* (mm). The measurement of airflow is made by a pressure difference measurement with a separate measuring tube.



LIABILITY:

The information contained in this brochure was current on the publication date. DEC INTERNATIONAL reserves the right to make changes in details at any time without prior notice. In order to avoid misunderstandings, any interested party is advised to contact DEC INTERNATIONAL checking for any changes in materials and/or information after this brochure was published.

PLEASE NOTICE:

The consultant is responsible for the actual installation and mounting of the product. The mentioned values with respect to temperatures are not appropriate to be used to determine the physical properties. These properties are also dependent on humidity and the temperature of the air inside and outside of the H.V.A.C. system.

TRADEMARKS:

DEC International and the DEC logo are trademarks, or registered trademarks of Dutch Environment Corporation BV in the Netherlands and/or other countries.