



ISODEC 250+ COMBIDEC 2100

THERMAL INSULATED DUCTING

The **ISODEC 250/COMBIDEC 2100** consists of an aluminium laminate inner duct, thermally insulated with a glass wool layer and provided with an aluminium laminated outer jacket and covered with a Combidec 2100 outer duct. The thermal insulation is suitable for preventing condensation and minimizing heat loss and loss of cold.

APPLICATION

- Insulation in ventilation and air supply systems
- Air conditioning systems
- Thermic insulation in order to prevent heat loss or loss of cold
- Preventing of condensation in ventilation systems
- Ventilation systems
- Machine building exhaust
- Blower distribution

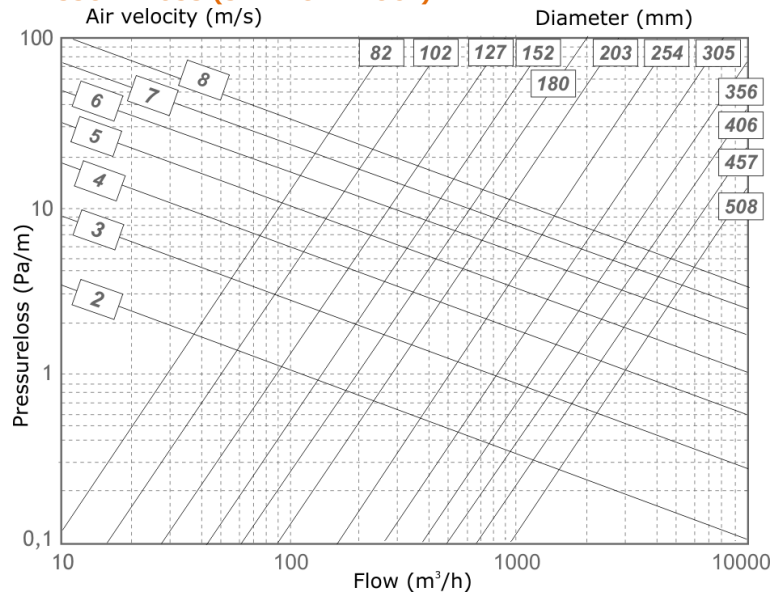
SPECIFICATIONS

Article code: DIXC1G{Ø}
 Temperature range:
 Inner duct: -30 °C to 250 °C
 Outer duct: -30 °C to 140 °C
 Operating pressure: up to +3000 Pa
 Operating air velocity: max. 30 m/s
 Min. bending radius: 0.58 x Ø + 25mm
 Standard diameter range: 82 – 508 mm
 Standard length: 6 mtr

CONSTRUCTION

Inner duct: Alu/poly laminate
 Glass wool blanket: 25mm, 16kg/m³
 Outer duct: Alu/poly/pvc laminate
 R-value glass wool: 0.65 m² K/W (ASTM C177-76)
 Appearance: Grey

PRESSURE LOSS (STRAIGHT DUCT)



The **ISODEC 250/COMBIDEC 2100** fulfills all the requirements and are classified as specified within EN 13180: *Ventilation for buildings – Ductwork - Dimensions and mechanical requirements for flexible ducts.*

The **ISODEC 250/COMBIDEC 2100** is also available, on request, with a 50 mm glass wool layer, the article number is: DIX50C1G{Ø}
 R-value glass wool: 1.3 (50 mm) m² K/W (ASTM C177-76).

LIABILITY:

The information contained in this brochure was current on the publication date. DEC INTERNATIONAL reserves the right to make changes in details at any time without prior notice. In order to avoid misunderstandings, any interested party is advised to contact DEC INTERNATIONAL checking for any changes in materials and/or information after this brochure was published.

PLEASE NOTICE:

The consultant is responsible for the actual installation and mounting of the product. The mentioned values with respect to temperatures are not appropriate to be used to determine the physical properties. These properties are also dependent on humidity and the temperature of the air inside and outside of the H.V.A.C. system.

TRADEMARKS:

ISODEC, COMBIDEC, the DEC logo and DEC International are trademarks, or registered trademarks of Dutch Environment Corporation BV in the Netherlands and/or other countries.

RESTRICTIONS:

The ISODEC ducts are not suitable for discharging combustion products from open fireplaces and oil-fired boilers. Neither are the ducts suitable for transporting air with a high concentration of acid and base.