



SONODEC 25 TRD

FLEXIBLE SOUND ATTENUATORS

The **SONODEC 25 TRD** consist of a perforated aluminum inner duct, thermal insulated with a glass wool layer and provided with an aluminium laminated outer jacket. A polyester barrier between the duct and the glass wool prevents the diffusion of glass wool particles. Both ends are taped to make ready-made connections.

The SONODEC TRD has an increased insertion loss, the SONODEC GLX, however, has an increased sound attenuation.

APPLICATION

- Air supply systems
- Air conditioning systems
- Insertion loss damper
- Sound attenuator
- Decreasing sound of machines

SPECIFICATIONS

Article code:	DST{Ø}/L
Temperature range:	-30 °C to 140 °C
Operating pressure:	up to +2500 Pa
Operating air velocity:	max. 25 m/s
Min. bending radius:	0.54 x Ø + 25mm
Standard diameter range:	82 – 508 mm
Standard length:	0,5+1+1,5+2 mtr

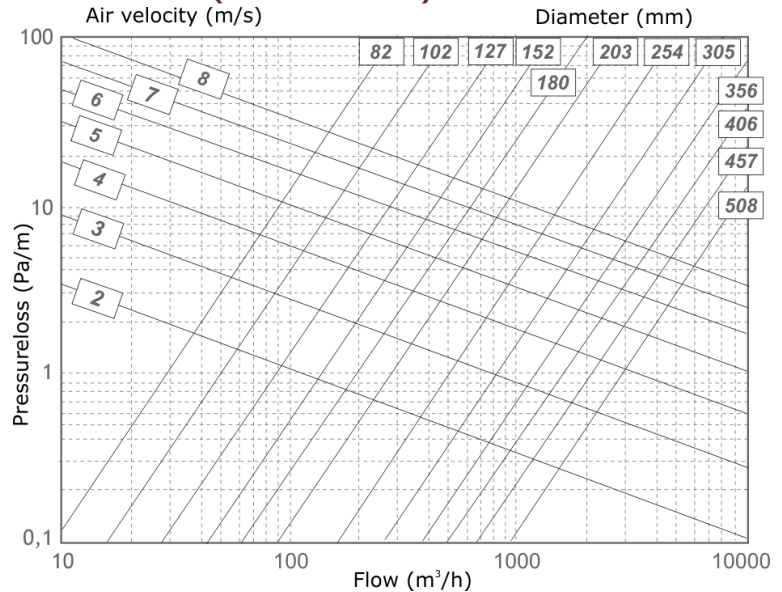
CONSTRUCTION

Inner duct:	alu/poly laminate
Barrier	polyester film
Glass wool blanket:	25mm, 16kg/m ³
Outer jacket:	alu/poly laminate
R-value glass wool:	0.65 m ² K/W (ASTM C177-76)
Appearance:	aluminium

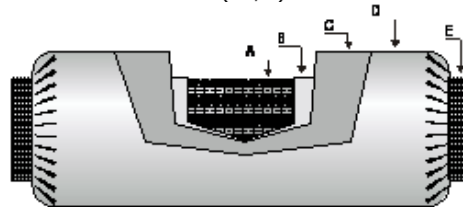
CLASSIFICATIONS

UK (BS476):	Part 6, 7 and 20
NL(NEN 6065/6066)	1
FR (NF):	M1

PRESSURE LOSS (STRAIGHT DUCT)



- A. inner duct
- B. barrier
- C. glass wool
- D. outer jacket
- E. gasket



The **SONODEC 25 TRD** fulfills all the requirements and are classified as specified within EN 13180: *Ventilation for buildings – Ductwork - Dimensions and mechanical requirements for flexible ducts.*

The **SONODEC 25 TRD** is also available, on request, with a 50 mm glass wool layer, the article number is: DST50{Ø}
R-value glass wool: 1.3 (50 mm) m² K/W (ASTM C177-76).

LIABILITY:

The information contained in this brochure was current on the publication date. DEC INTERNATIONAL reserves the right to make changes in details at any time without prior notice. In order to avoid misunderstandings, any interested party is advised to contact DEC INTERNATIONAL checking for any changes in materials and/or information after this brochure was published.

PLEASE NOTICE:

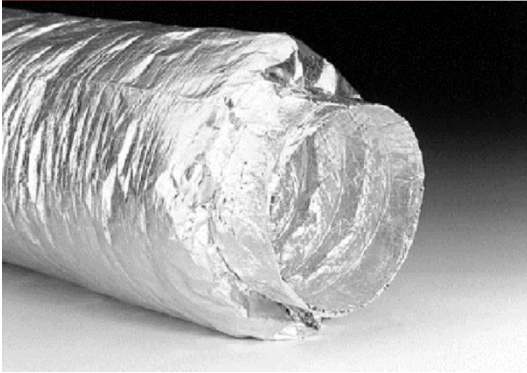
The consultant is responsible for the actual installation and mounting of the product. The mentioned values with respect to temperatures are not appropriate to be used to determine the physical properties. These properties are also dependent on humidity and the temperature of the air inside and outside of the H.V.A.C. system.

TRADEMARKS:

SONODEC, the DEC logo and DEC International are trademarks, or registered trademarks of Dutch Environment Corporation BV in the Netherlands and/or other countries.

RESTRICTIONS:

The SONODEC ducts are not suitable for discharging combustion products from open fireplaces and oil-fired boilers. Neither are the SONODEC ducts suitable for transporting air with a high concentration of acid and base.



SONODEC 25 TRD

FLEXIBLE SOUND ATTENUATORS

SOUND ATTENUATION

SONODEC 25 TRD		(Test report nr. AB323-1 Peutz bv - The Netherlands)					
D _n (mm)	L (mtr)	Attenuation, dB - Mid-frequency, Hz					
		125	250	500	1000	2000	4000
82	1	16	26	33	38	28	17
	2	21	37	48	53	46	29
102	1	9	19	32	37	31	21
	2	19	33	52	53	49	36
127	1	12	20	21	25	29	17
	2	17	31	44	45	46	26
160	1	17	22	22	27	19	14
	2	31	39	34	38	31	20
203	1	7	15	17	20	16	13
	2	20	34	32	35	30	22
254	1	16	16	16	16	13	10
	2	26	31	28	33	25	18
315	1	11	12	12	14	11	7
	2	28	25	22	27	22	15
457	1	12	10	8	8	6	8
	2	20	17	15	16	13	12
508	1	8	8	8	9	6	7
	2	20	17	16	17	11	11

SONODEC 50 TRD		(Test report nr. AB323-4 Peutz bv - The Netherlands)					
D _n (mm)	L (mtr)	Attenuation, dB - Mid-frequency, Hz					
		125	250	500	1000	2000	4000
82	1	14	19	34	40	27	18
	2	19	31	42	59	45	30
102	1	7	18	31	43	28	20
	2	11	32	49	61	45	27
127	1	7	15	22	32	26	18
	2	14	27	47	56	40	28
160	1	12	20	23	28	18	11
	2	22	36	43	50	29	20
203	1	4	9	14	20	14	13
	2	13	22	35	43	30	24
254	1	14	14	16	15	11	10
	2	26	28	30	31	18	14
315	1	15	13	15	16	9	7
	2	27	26	28	32	15	13
457	1	9	9	10	9	5	7
	2	20	19	21	17	11	13
508	1	7	8	9	8	5	7
	2	19	17	20	15	9	10

LIABILITY:

The information contained in this brochure was current on the publication date. DEC INTERNATIONAL reserves the right to make changes in details at any time without prior notice. In order to avoid misunderstandings, any interested party is advised to contact DEC INTERNATIONAL checking for any changes in materials and/or information after this brochure was published.

PLEASE NOTICE:

The consultant is responsible for the actual installation and mounting of the product. The mentioned values with respect to temperatures are not appropriate to be used to determine the physical properties. These properties are also dependent on humidity and the temperature of the air inside and outside of the H.V.A.C. system.

TRADEMARKS:

SONODEC, the DEC logo and DEC International are trademarks, or registered trademarks of Dutch Environment Corporation BV in the Netherlands and/or other countries.

RESTRICTIONS:

The SONODEC ducts are not suitable for discharging combustion products from open fireplaces and oil-fired boilers. Neither are the SONODEC ducts suitable for transporting air with a high concentration of acid and base.